

# 247blinds

## CASSETTE ROLLER BLIND

### FITTING GUIDE

 Fitting Time: Approx. 15 Min

 **WARNING:** PLEASE READ THE INSTRUCTIONS BEFORE OPERATING THIS PRODUCT



**THE INSTALLATION OF THIS PRODUCT SHOULD BE CONDUCTED BY SOMEONE COMPETENT IN DIY.**

## WHAT YOU'LL NEED

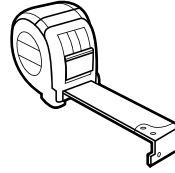
Screwdriver



Drill



Measuring tape

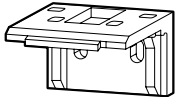


Pencil

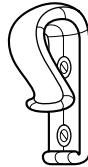


## WHAT'S IN THE BOX

Brackets



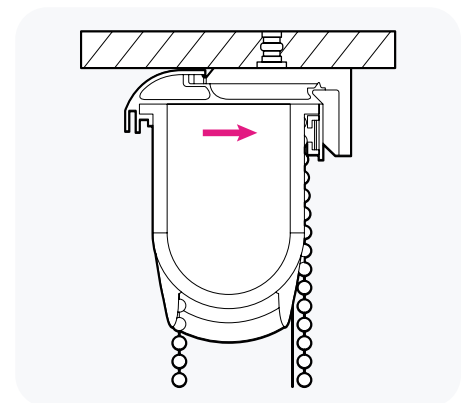
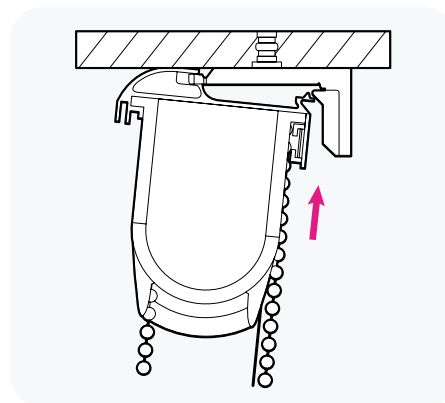
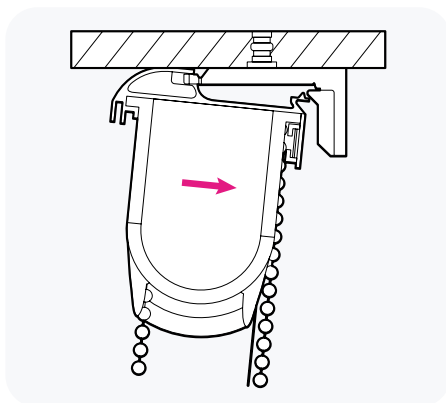
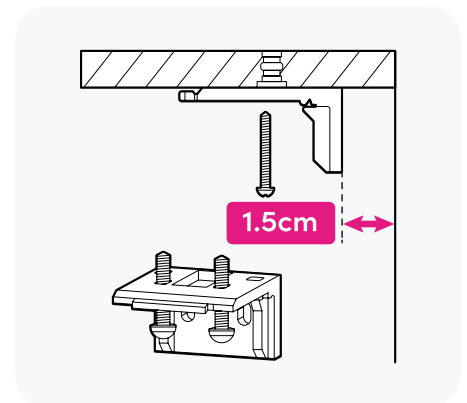
Child-safety clip



## STEP 1 - FITTING THE BRACKETS

### TOP FIXING FOR INSIDE A RECESS (RECESS)

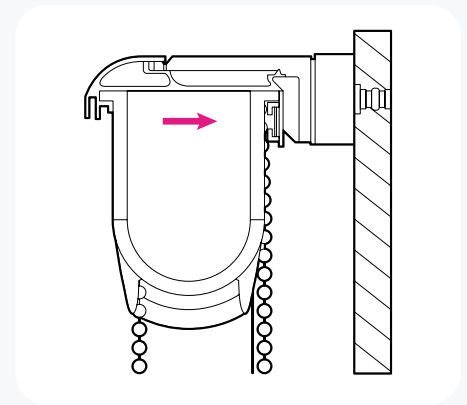
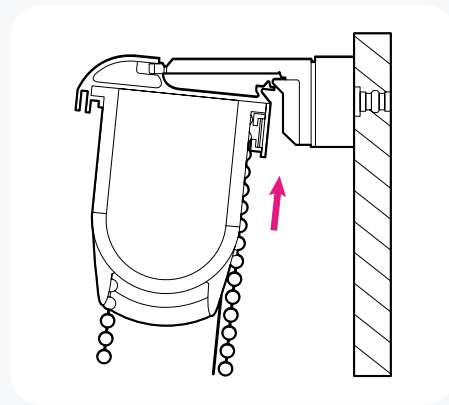
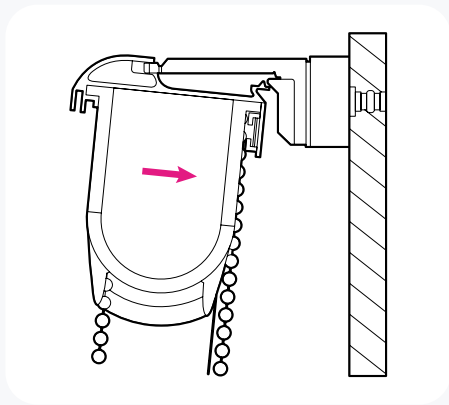
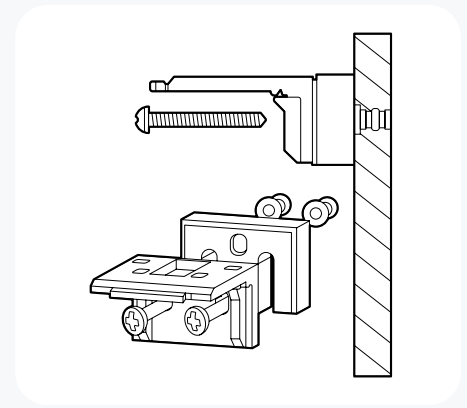
When fitting using the top fixing method simply use the holes on the top of the bracket to screw directly up into the lintel/ceiling around 1.5cm away from your window so the cord and back material runs smoothly away from your window, if you have handles that sticks out further than this, then fit further away from the window to avoid it catching.



Then simply hook the front of the head rail over the front of the bracket. Once hooked in at the front push the back of the bracket up to level out the head rail then push back until you hear it click into place.

## FACE FIXING FOR OUTSIDE A RECESS (EXACT)

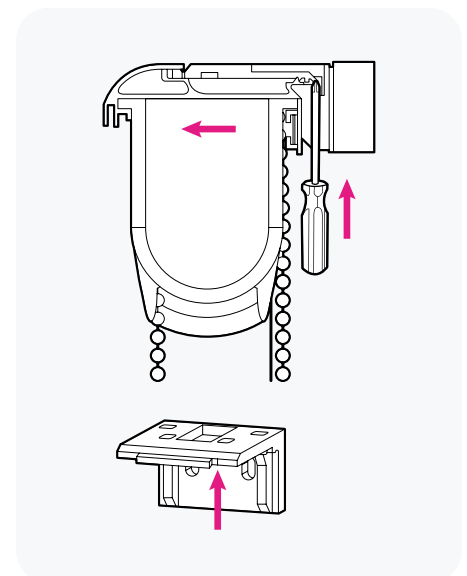
When fitting using the face fixing method use the holes at the back of the bracket. You may need to fit a wooden block/ spacer to keep the blind away from the handles on your window.



Then simply hook the front of the head rail over the front of the bracket. Once hooked in at the front push the back of the bracket up to level out the head rail then push back until you hear it click into place.

## DISASSEMBLING THE BLIND

To take the blind down push a screwdriver up behind the blinds headrail up into the back of the bracket. Keeping pressure applied to the screwdriver, carefully tilt the blind backwards after the bracket is disengaged.



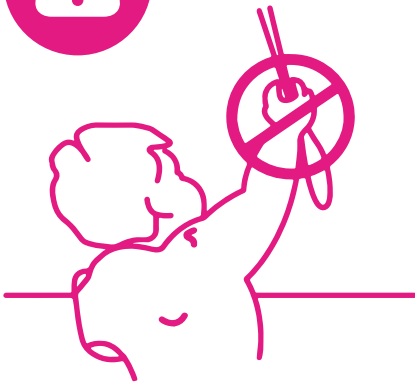
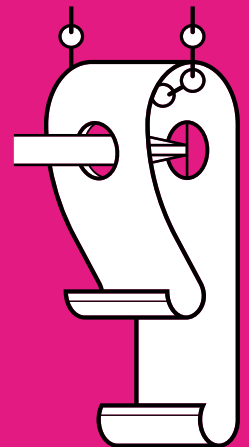
# CHILD SAFETY

The safety device must be installed at the maximum distance possible from the control mechanism, and at least 1.5 metres from the floor to prevent looped chain becoming slack.

## STEP 2 - INSTALLING THE SAFETY DEVICE

Place the safety device on the wall and mark the positioning of the 2 screw holes. Drill holes using a suitable drill bit. Place device into position ensuring the chain is fully taut. Screw the safety device securely to the wall using suitable fixings.

**CHILDREN CAN STRANGLE IF A SAFETY DEVICE IS NOT INSTALLED. ALWAYS USE A SAFETY DEVICE TO KEEP CORDS AND CHAINS OUT OF REACH OF CHILDREN.**



### WARNING

Young children can be strangled by loops in pull cords, chains, tapes and inner cords that operate the product.

To avoid strangulation and entanglement, keep cords out of the reach of young children.

Cords may become wrapped around a child's neck. Move beds, cots and furniture away from window covering cords.

Do not tie cords together. Make sure cords do not twist and create a loop.