

247blinds

FLY SCREEN

FITTING GUIDE

 Fitting Time: Approx. 15 Min

 **WARNING:** PLEASE READ THE INSTRUCTIONS BEFORE OPERATING THIS PRODUCT



THE INSTALLATION OF THIS PRODUCT SHOULD BE CONDUCTED BY SOMEONE COMPETENT IN DIY.

WHAT YOU'LL NEED

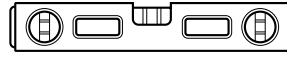
Screwdriver



Drill



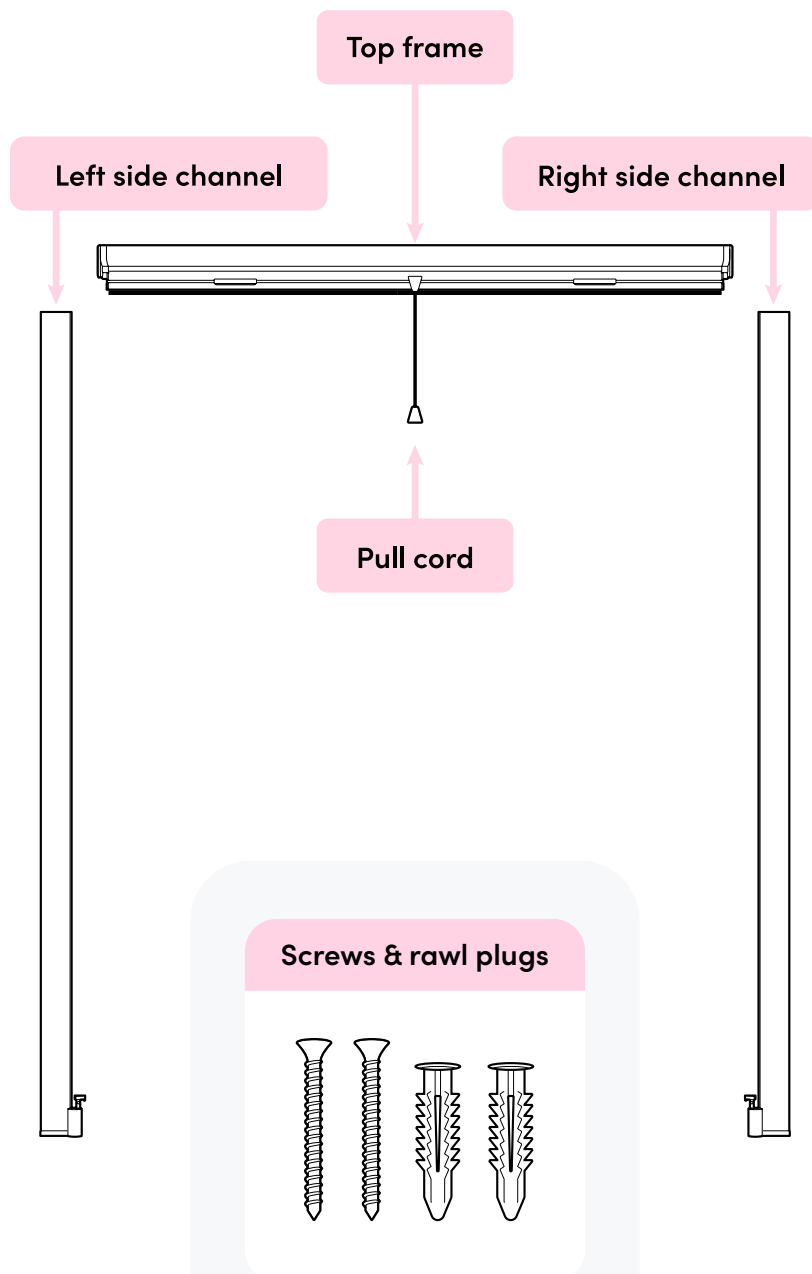
Spirit Level



Pencil



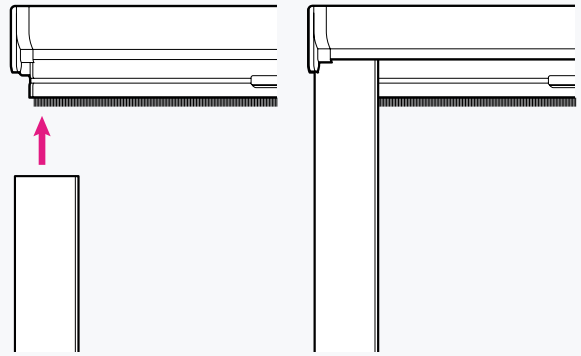
WHAT'S IN THE BOX



STEP 1 - ASSEMBLING THE BLIND

Carefully unwrap the blind components and lay them out on a clean surface face up.

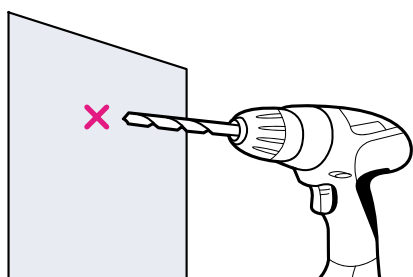
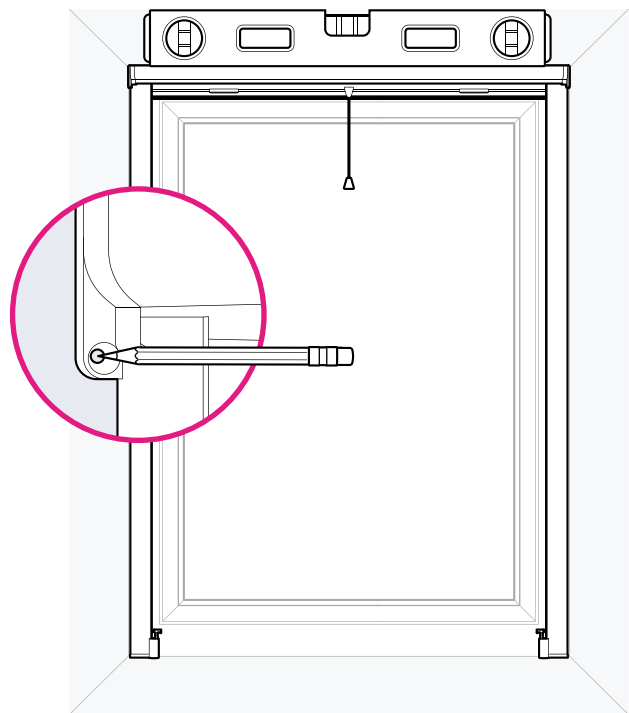
Build the frame: take each side channel and slide it onto the ends of the cassettes by lining up the slots.



STEP 2 - INSTALLING THE BLIND

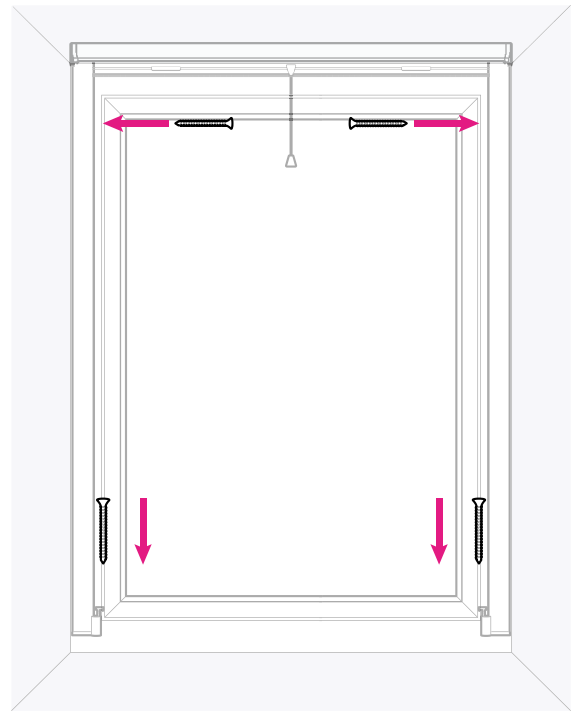
Place the blind inside the recess where you'd like to fit it, using a spirit level to ensure it's straight.

Hold the blind in position and mark the fixing holes at either end of the blind cassette using a pencil.



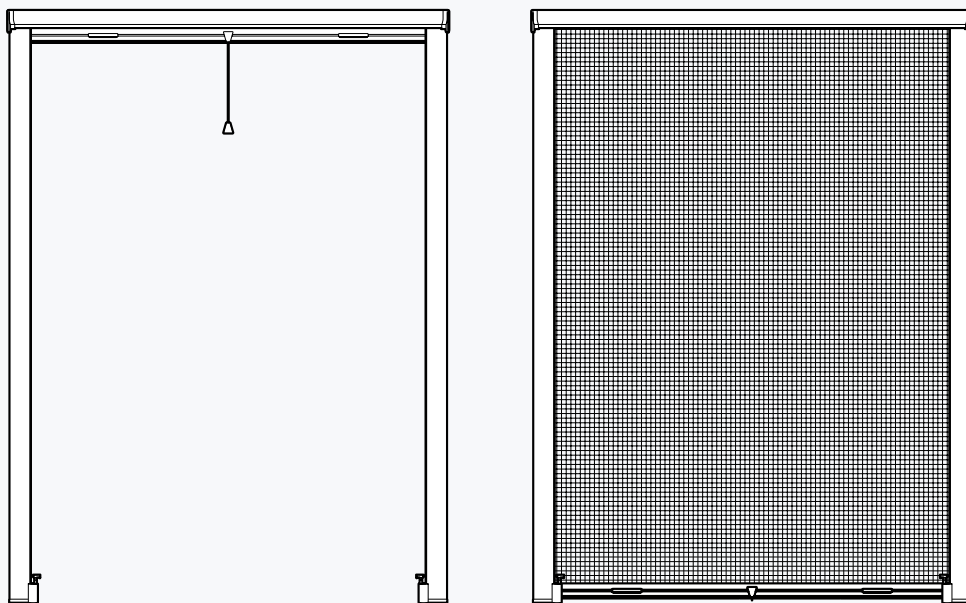
Take the blind down, drill the holes where previously marked, and insert rawl plugs.

Place the blind back into the recess and screw it into place. Secure the side channels directly to the sill using an additional screw through the fixing hole at the base of each channel.



STEP 3 - OPERATING THE BLIND

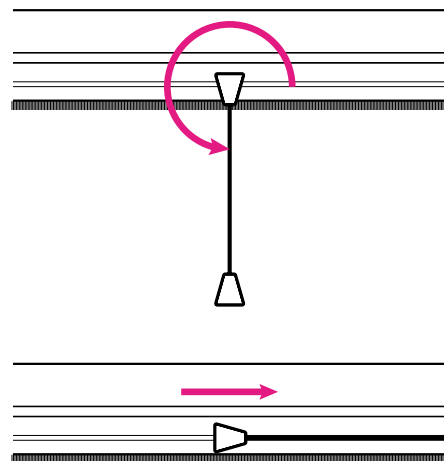
Use the handles or pull cord to pull the screen down, hold it in place, then twist the locking hooks at the base of each side channel into the 'locked' position to fasten it into position.



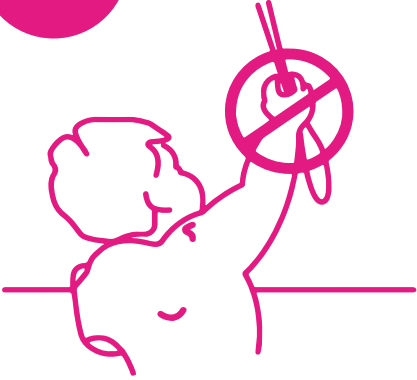
NOTE: The screen is spring-loaded, so ensure the locks are in their proper positions before releasing the screen to avoid it retracting suddenly.

STEP 4 - REMOVING THE PULL CORD

For a neater finish, you can choose to remove the pull cord and operate the blind using the two handles attached to the bottom of the screen. To do this, with the blind in a raised position, twist the pull cord in either direction and pull it out of the bar.



CHILD SAFETY



WARNING

Whilst Fly Screens are child safe by design, as with all window dressings they still pose a risk if used unsafely or installed in an unsafe location.

To ensure your blind is as safe as possible please ensure all beds, cots or furniture that can be climbed is moved away from the window.

While these blinds do pose minimal risk in regards to choking or strangulation they can still be pulled off the window and cause a risk of crushing or injury.

If the blind is pulled from the window frame, ensure there is no damage, and install the blind back onto your window.