

247blinds

OPEN CASSETTE

AWNING

FITTING GUIDE



WARNING: PLEASE READ THE INSTRUCTIONS BEFORE OPERATING THIS PRODUCT

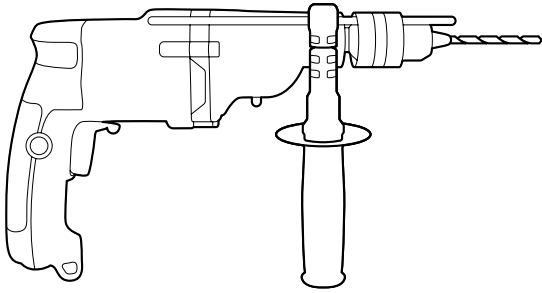


THE INSTALLATION OF THIS PRODUCT SHOULD BE CONDUCTED BY SOMEONE COMPETENT IN DIY.

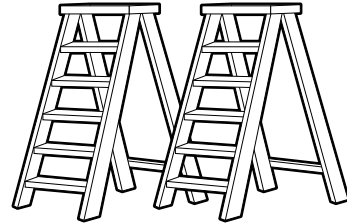
We strongly recommend at least 2 people, preferably 3, for this installation. Awnings are very heavy and attempting to install them alone can be difficult and dangerous.

WHAT YOU'LL NEED

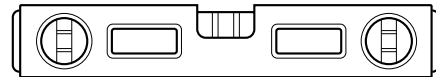
Hammer drill with 16mm masonry bit



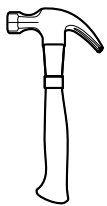
Step ladder x2



Spirit level



Hammer



Spanner



Allen key

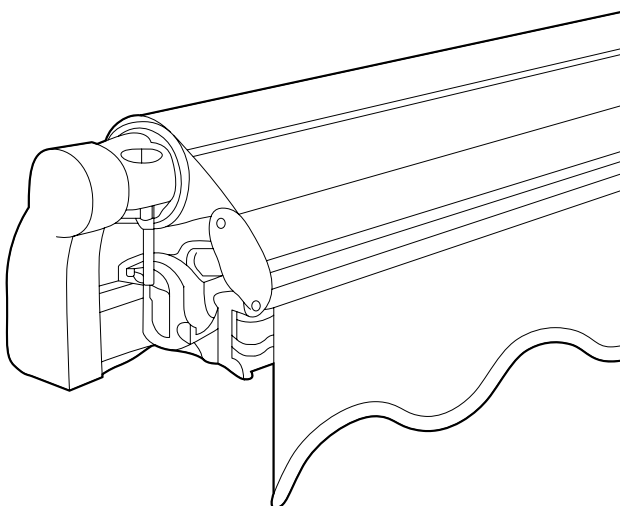


Chalk or pencil

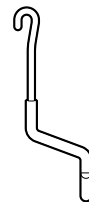


WHAT'S IN THE BOX

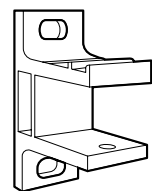
Awning (pre-assembled)



Hand crank



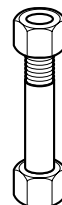
Wall brackets x2



Wall anchors x4

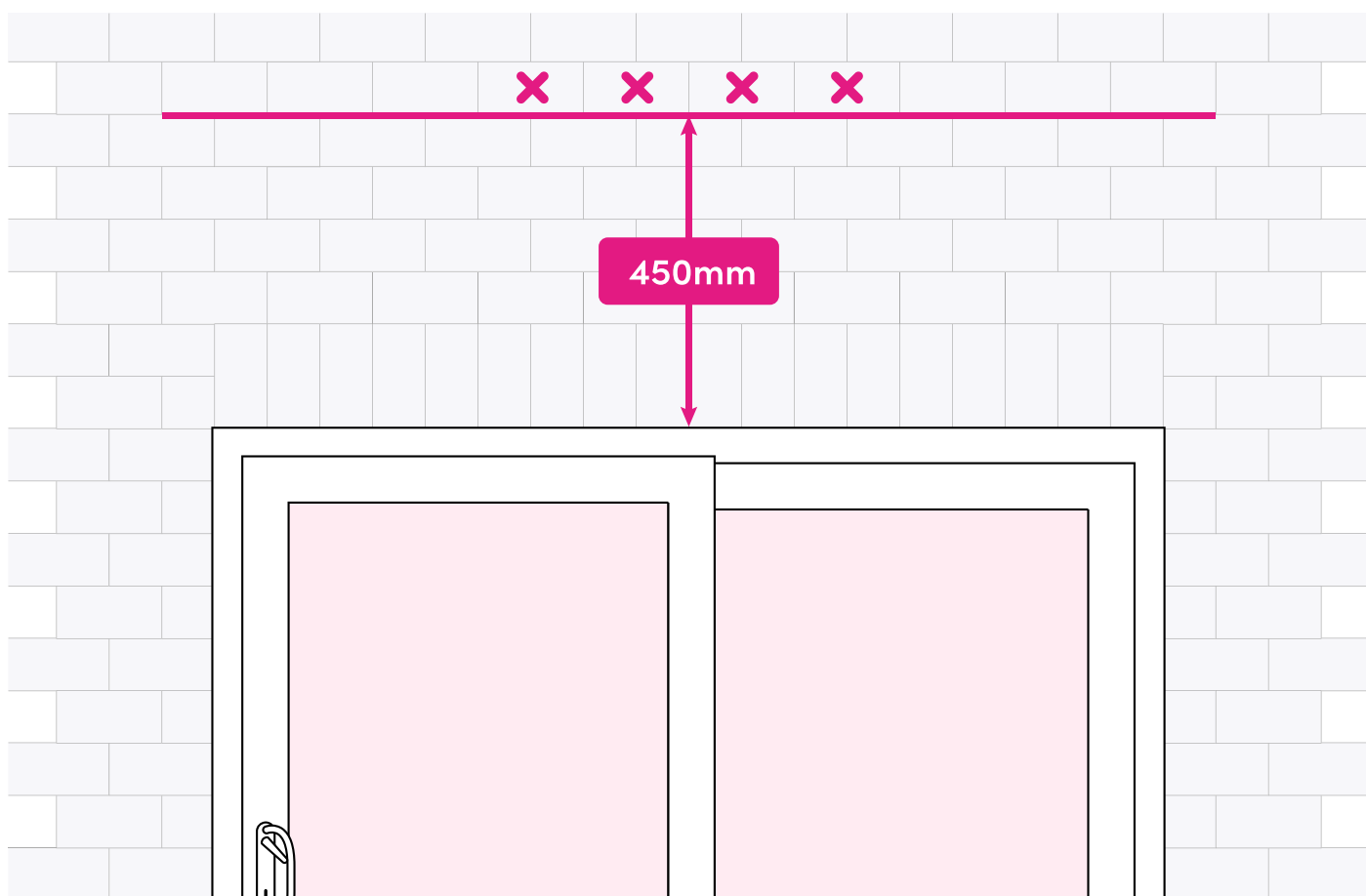


Retaining bolts x2



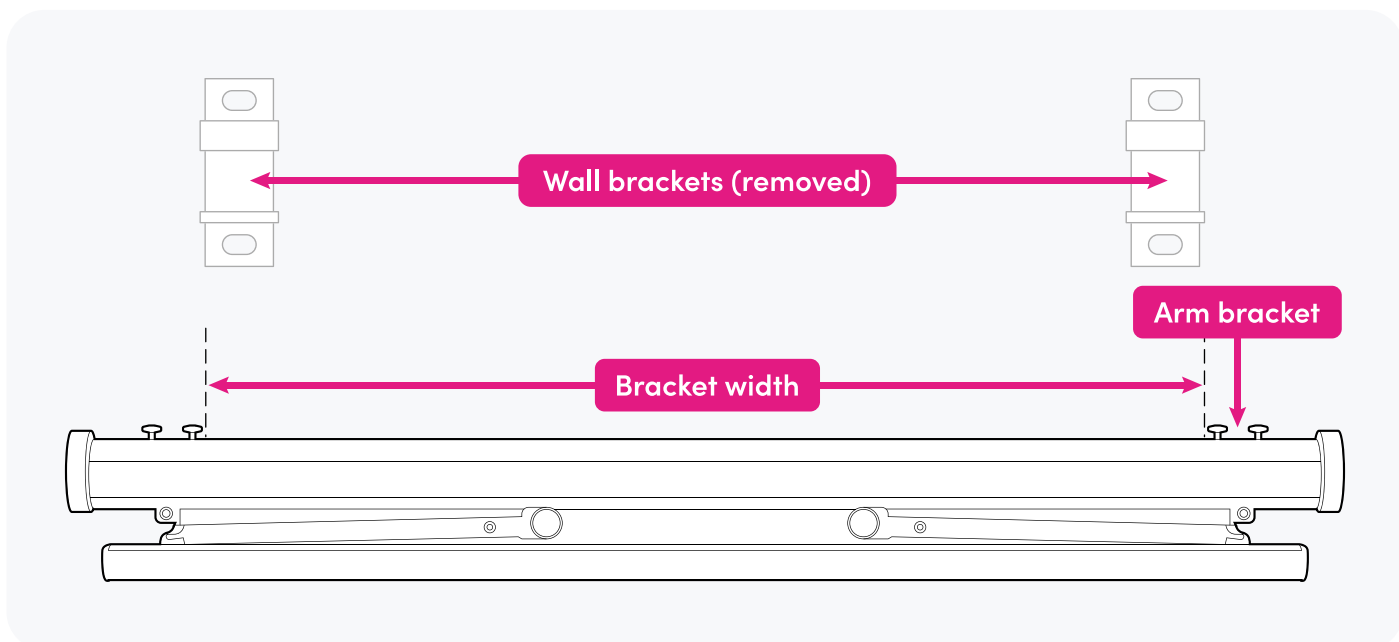
STEP 1 - FITTING LOCATION

If you are installing your awning above a window/door, you need to ensure enough room is left between the top of your window and the awning. To do this, measure **450mm** up from the top of the window/door and use a spirit level / laser level and chalk to mark a straight line. This is the minimum height at which the awning should be installed.



STEP 2 - INSTALLING THE BRACKETS

The awning will arrive pre-assembled with the wall brackets attached. Remove the wall brackets and measure the distance between the arm brackets. This will be your 'bracket width'.

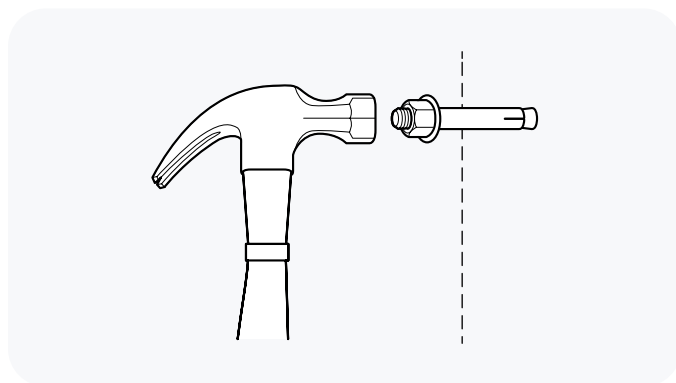
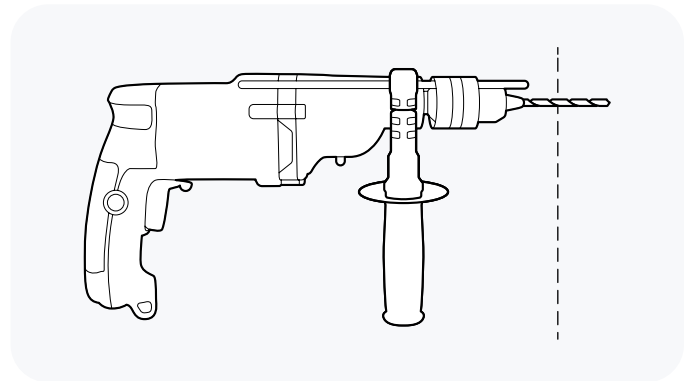
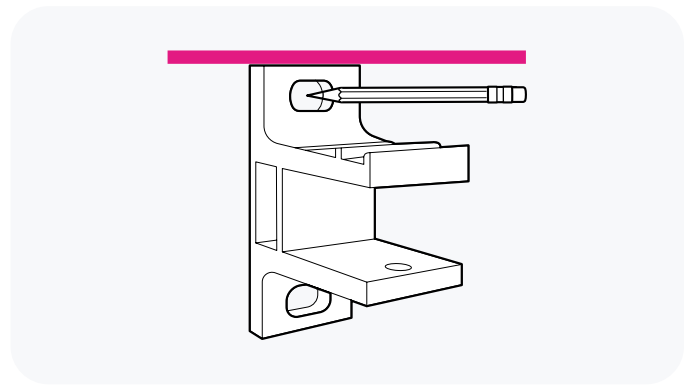


Use the bracket width and fitting location identified in Step 1 to position the brackets. Place each bracket so the top edge sits directly underneath the line you marked earlier.

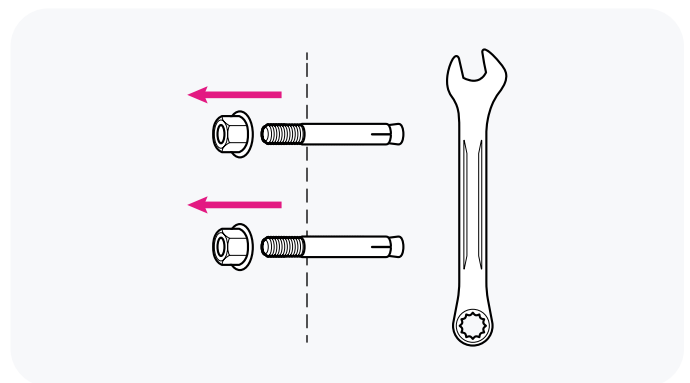
Mark the screw holes with a pencil; try to mark these as far away from the mortar between the bricks as possible.

Make sure these screw holes are marked on the same horizontal line. You can do this using a laser level, or by placing a spirit level on a long enough object you know to be straight.

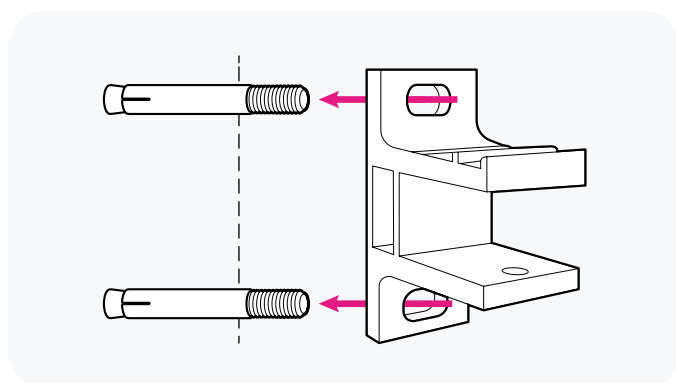
Using a hammer drill and a 16mm masonry drill bit, drill at each screw hole mark; the holes should be roughly 85mm deep.



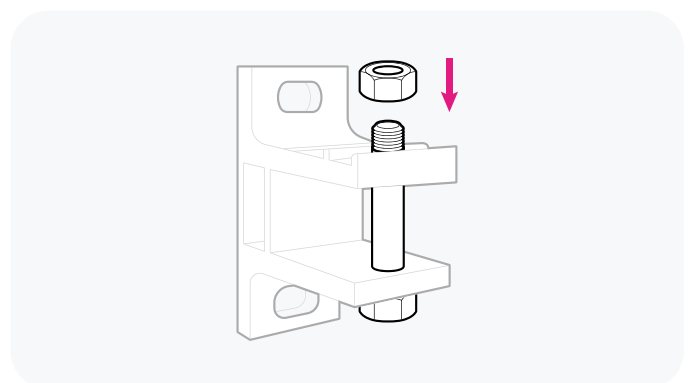
With the bolts still attached, place the wall anchors into the holes you've drilled. Hammer the wall anchors in until the bolts are touching the wall.



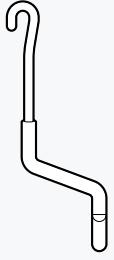
First, remove the bolts using a spanner.



Then, slot your brackets over the wall anchors, and loosely screw the bolts back onto the wall anchors. Place your awning into the brackets, and once you are happy with the positioning, screw the bolts tightly into place. **Ensure you and your installation partner are holding the awning in place whilst completing this step.**



Whilst continuing to hold the awning in place with your installation partner, secure the awning to the brackets using the retaining bolts.



Hook the hand crank onto the awning's crank mechanism to complete the installation. Rotate the crank to operate the blind. Be mindful not to stand directly underneath or in front of the awning when operating.

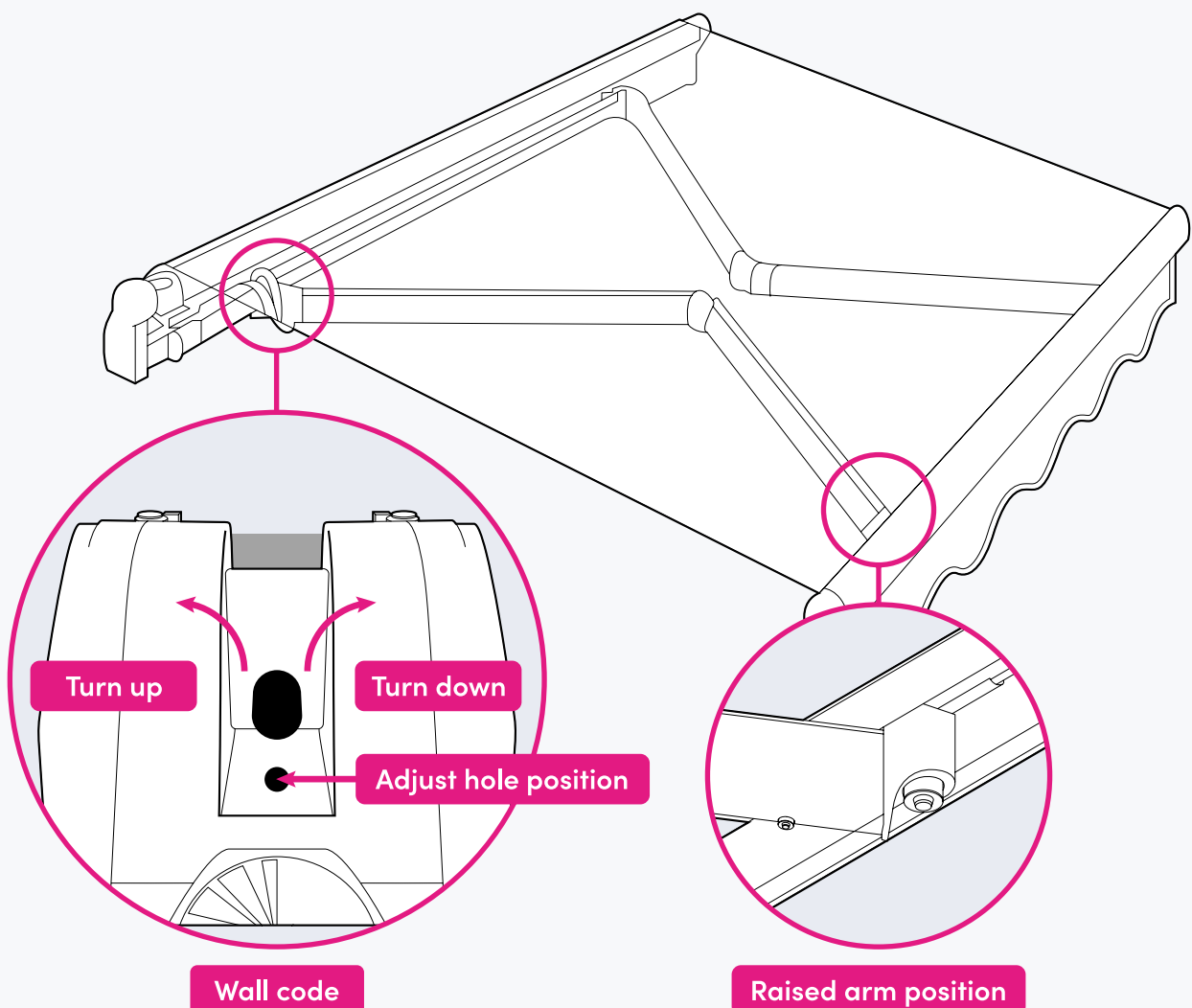
IMPORTANT

It's important to keep your awning either fully retracted or fully extended, as the arms are strongest in these positions. When fully extended, the arms should be slightly bent, not locked out straight.

STEP 3 - ADJUSTING THE HEIGHT

If you find that one side of your awning is higher/lower than the other when fully extended, you can adjust the height level of the arms.

You will find an adjustment hole located on each arm bracket. Fully extend the blinds, then use a allen key to adjust the height, rotate clockwise to lower the arm, or anti-clockwise to raise the arm.





MAINTAINING YOUR AWNING

- Remove the hand crank when the awning is not in use.
- Clean the fabric at least once a year with a sponge or soft brush and warm, clean water. For any stains, use a mild detergent. Avoid using harsh chemicals or cleaning products.
- Clean the frame/metal components at least once a year with a sponge and warm, clean water.
- Spray any moving parts with WD40/lubricant at least once a year to reduce wear.
- Whilst the fabric is weather-resistant, if it does get wet from cleaning or rain, ensure you leave it fully extended to dry at the first opportunity to prevent mildew.
- If the awning is not being used for an extended period of time, make sure to take it down and store it under cover where possible.



IMPORTANT: USAGE PRECAUTIONS

Ensure you retract the awning before strong winds, heavy rain, or other severe weather to prevent damage to the awning or the structure it's attached to.