

24.7blinds

PLEATED BLIND

FITTING GUIDE

 Fitting Time: Approx. 20 minutes

 **WARNING: PLEASE READ THE INSTRUCTIONS BEFORE OPERATING THIS PRODUCT**



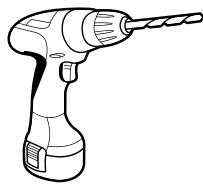
THE INSTALLATION OF THIS PRODUCT SHOULD BE CONDUCTED BY SOMEONE COMPETENT IN DIY.

WHAT YOU'LL NEED

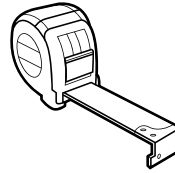
Screwdriver



Drill



Measuring tape



Pencil



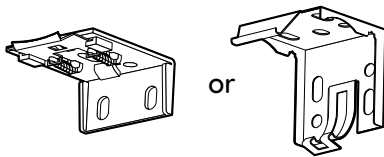
The correct screws and wall plugs



This could be plaster, wood or even steel depending on the surface you'll be fitting your blind to. We recommend looking online to ensure you get the best fittings for your blind.

WHAT'S IN THE BOX

2-5 brackets*

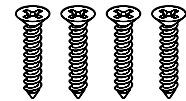


*The wider the blind, the more of these you will have.

Cord Cleat
(Corded Pleated blinds only)



Countersunk screws



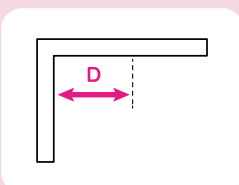
STEP 1 - FITTING THE BRACKETS

Firstly, decide whether you'd like to top-fix or face-fix your blinds.

Top fixing is where the screws are installed bottom-up through the top of the brackets, this method is used to attach blinds to the ceiling or top of the window recess.

Face fixing is where the screws are installed horizontally through the back of the brackets and directly onto a vertical surface, such as a wall.

Start by positioning the initial two brackets 50mm in from either end of the headrail. Hold each bracket in place and mark the hole positions using a pencil. If your blind is larger and you have extra brackets, space these evenly in between each end brackets for optimum support.



A NOTE ON TOP FIXING

Be mindful of any obstructions such as window handles, and install the blind further forward in the recess to accommodate for them.

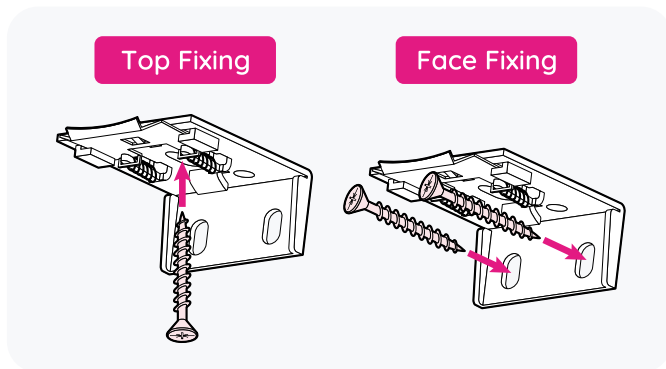
On a corded pleated blind - The max depth is **27mm**.

On a cordless pleated blind - The max depth is **47mm**.

We recommend adding around 1cm extra clearance for peace of mind. Once any obstruction are accounted for, measure and mark the distance (D) between the window and where you'll be fitting the brackets.

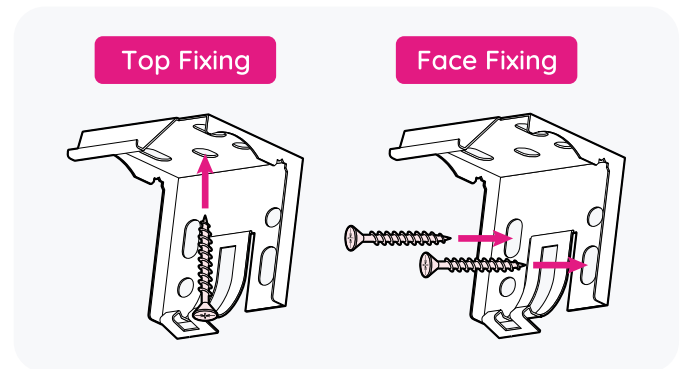
FOR CORDED CONTROL

Ensure you fit the brackets as shown below, so the spring edge is facing in towards the room.



FOR CORDLESS CONTROL

Ensure the brackets are fitted so the curved hook faces in towards the room, and the curved prong is at the bottom.



STEP 2 - FITTING THE BLIND

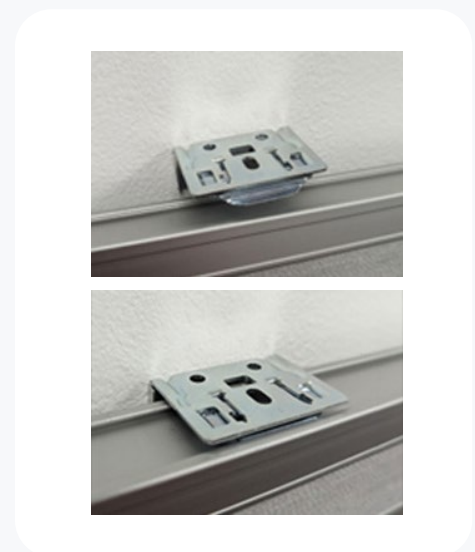
Keep your blind stacked together for this step.

CORDED

Using both hands to keep the blind level, lift your blind and hook the bracket behind, and under, the inner headrail lip at the front. Push the blind back until at a straight level and lightly push the blind back onto the brackets. You should hear a click once the blind spring is engaged.

Fit the child-safety cleat to the wall to keep the cords secure, and you're done!

To release, keeping the blind level, push the blind backwards into the brackets and gently tilt the blind backwards. This will disengage the spring and allow you to remove it.



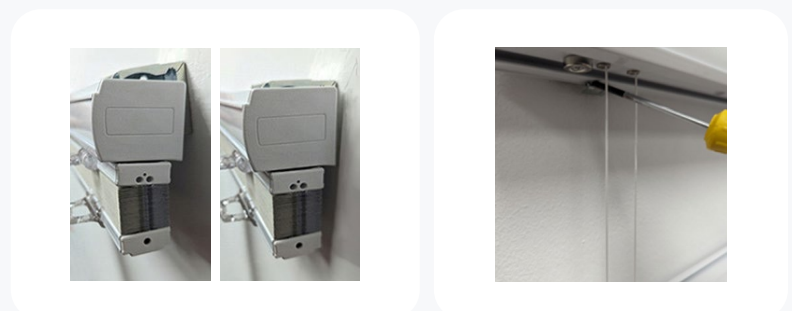
CORDLESS

Using both hands to keep the blind level, lift the blind and hook the blind underneath the inner headrail lip at the front. Swing the blind back and up into the bracket until you hear a click. Your blind is now fitted!



To release, move your blind down, so the internal cord wires are shown, and you can see the bottom release latch on the bracket.

Using a small screwdriver and press down on the bottom latch on the bracket while also tilting the blind backwards until it releases. Be sure to release all brackets before attempting to remove the blind.



NOTE: After a few days of hanging, the pleats should drop to the correct length.

To speed this process up, extend the blind past the drop and brush down the pleats lightly. This "releases" some shape and stretches the fabric out to the intended drop.

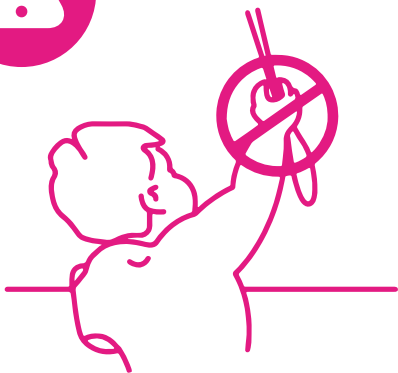
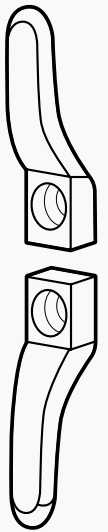
CHILD SAFETY

The safety device must be installed at the maximum distance possible from the control mechanism, and at least 1.5 metres from the floor to prevent cords from becoming tangled or slack. This blind comes with a safety device for screwing to the wall & a cord with a breakable joint. This cord condenser is designed to break under pressure and must not be tampered with.

STEP 3 - INSTALLING THE SAFETY DEVICE

Place the safety device on the wall and mark the position of the 2 screw holes. Screw or drill the safety device securely to the wall using suitable fixings. Once secured, loop the control cord around the device in a figure of eight shape, ensuring the cord is as tight as possible.

CHILDREN CAN STRANGLE IF A SAFETY DEVICE IS NOT INSTALLED. ALWAYS USE A SAFETY DEVICE TO KEEP CORDS AND CHAINS OUT OF REACH OF CHILDREN.



WARNING

Young children can be strangled by loops in pull cords, and inner cords that operate the product.

To avoid strangulation and entanglement, keep cords out of the reach of young children.

Cords may become wrapped around a child's neck. Move beds, cots and furniture away from window covering cords.

Do not tie cords together. Make sure cords do not twist and create a loop.