

247blinds

TWIST & FIT ELECTRIC ROLLER BLIND

FITTING GUIDE

 Fitting Time: Approx. 30 Sec

 **WARNING:** PLEASE READ THE INSTRUCTIONS BEFORE OPERATING THIS PRODUCT



Specifically designed for recessed windows, this method eliminates the need for drilling or screws unlike traditional roller blind installations.

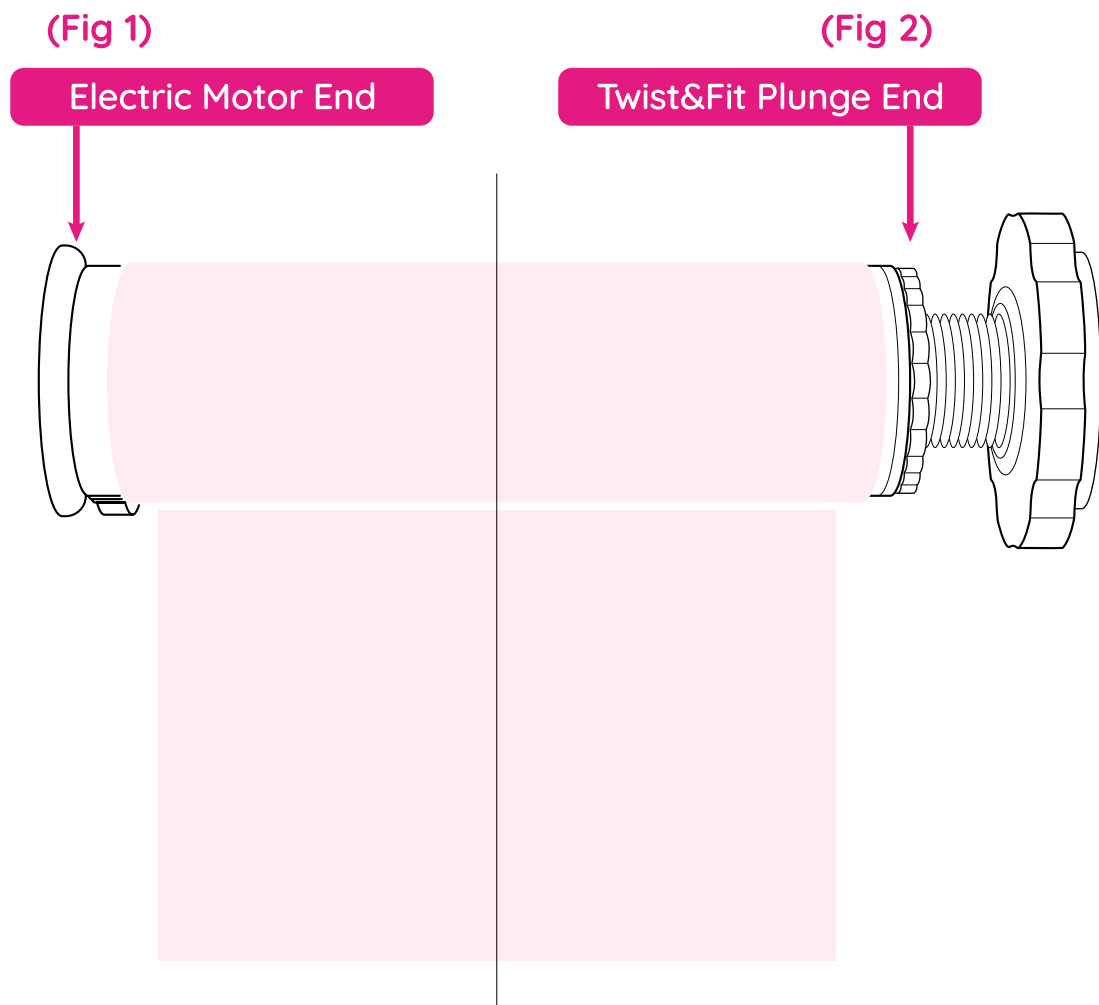
Adjust your electric Twist&Fit blind to any position within your recess, ideal for easy access to a top-opening window. The movable twist fitting ensures a secure installation on solid, flat walls.

STEP 1 - INSTALLING THE BLIND

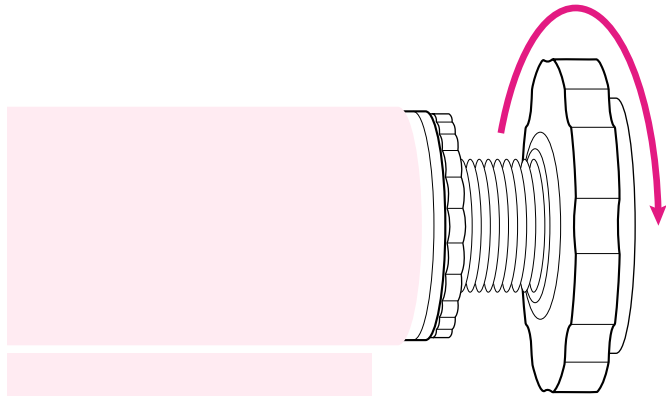
Unpack your blind on a clean, dry surface.

NOTE: The Twist&Fit plunge end is positioned on the right-hand side, with the electric motor on the left-hand side of the blind. The twist cog should be closer to the wall side to enable the plunge mechanism before tightening.

Guide the twist end (Fig 2) into your window recess, pressing down on the plunge, then proceed to insert the opposite side of your blind (Fig 1).



THE INSTALLATION OF THIS PRODUCT SHOULD BE CONDUCTED BY SOMEONE COMPETENT IN DIY.



Maintain your grip on the blind and make adjustments to achieve a level position.

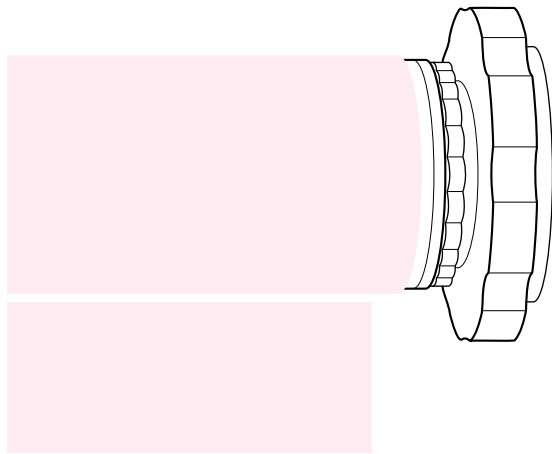
NOTE: To minimise excess light bleed, we advise pushing the roller as deep into the recess as possible.

Gently rotate the largest cog on the twist end so it starts to move towards the blind fabric. For Twist&Fit electric roller blinds, this is situated on the right-hand side.

Your blind is now secure.

Enhance the stability and longevity of your blind by using a spirit level to ensure a perfect fit. This will enable a secure attachment, contributing to the overall durability and aesthetics of the blind.

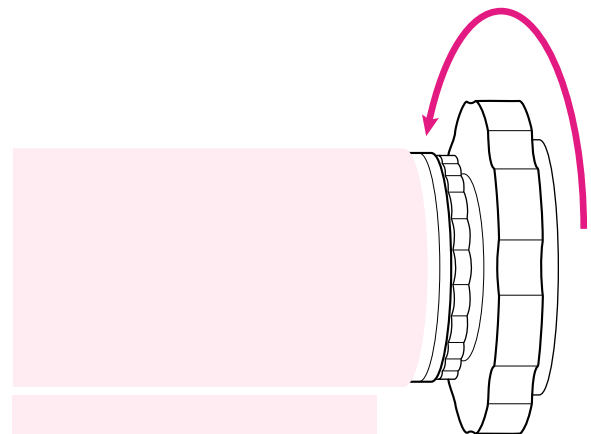
NOTE: Check the operation of the motor by moving the blind up and down. If the motor struggles to lift the fabric, reduce the tension on the Twist&Fit cog by approximately 1/6th of a of turn and check again. Repeat if required, ensuring the blind is secured inside the recess.



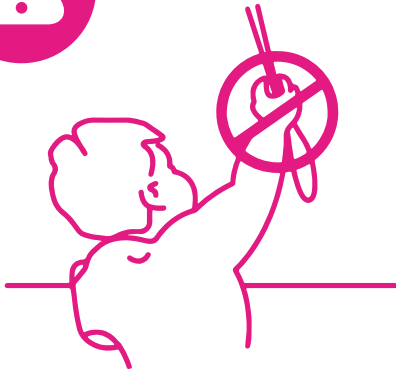
STEP 2 - RELEASING THE BLIND

To release the blind, grip it firmly and twist the cog towards the wall and gently slide the blind out.

NOTE: If your window is exposed to high humidity or direct sunlight, occasional adjustments to the twist tension may be necessary throughout the year.



CHILD SAFETY



WARNING

Whilst Twist&Fit electric roller blinds are child safe by design, as with all window dressings they still pose a risk if used unsafely or installed in an unsafe location.

To ensure your blind is as safe as possible please ensure all beds, cots or furniture that can be climbed is moved away from the window.

While these blinds do pose minimal risk in regards to choking or strangulation they can still be pulled off the brackets and cause a risk of crushing or injury.

If the blind is pulled from the window frame, ensure there is no damage, and install the blind back onto your window.