

247blinds

ROLLER BLIND

FITTING GUIDE

 Fitting Time: Approx. 15 Min

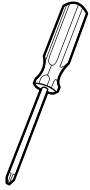
 **WARNING:** PLEASE READ THE INSTRUCTIONS BEFORE OPERATING THIS PRODUCT



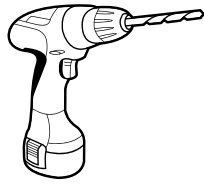
THE INSTALLATION OF THIS PRODUCT SHOULD BE CONDUCTED BY SOMEONE COMPETENT IN DIY.

WHAT YOU'LL NEED

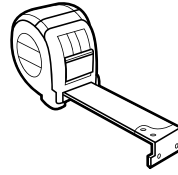
Screwdriver



Drill



Measuring tape

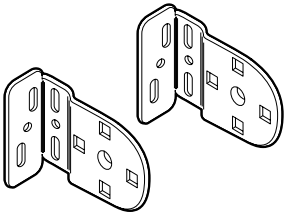


Pencil

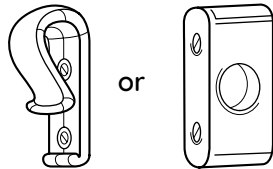


WHAT'S IN THE BOX

Brackets



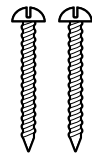
Safety device



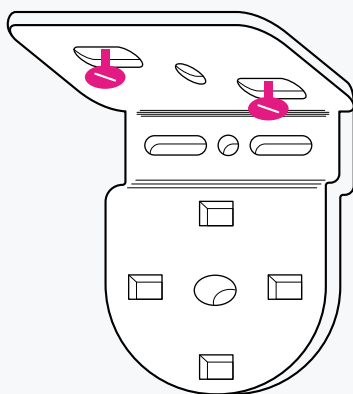
Wood screws for brackets (2 per bracket)



Safety device screws (x2)



STEP 1 - FITTING THE BRACKETS



TOP FIXING (FOR INSIDE A RECESS)

Hold each bracket into place and mark the hole positions.

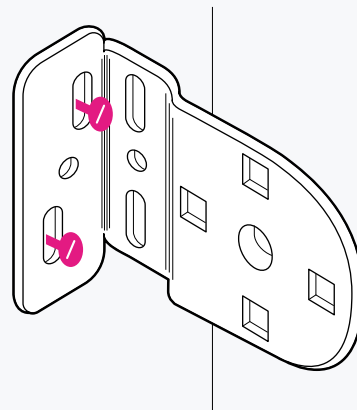
Fit each bracket with suitable screws. Please ensure fixings are suitable for the wall/surface to which you are mounting the brackets.

When top fixing into a recess, please allow for any protruding obstructions such as vents or window handles.

FACE FIXING (FOR OUTSIDE A RECESS)

Hold each bracket into place and mark the hole positions.

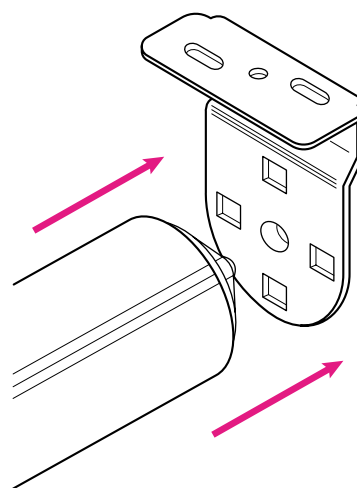
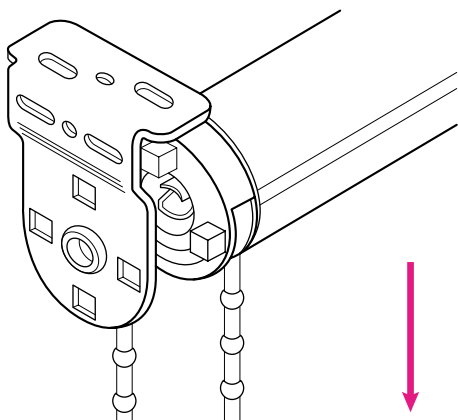
Fit each bracket with suitable screws. Please ensure fixings are suitable for the wall/surface to which you are mounting the brackets.



STEP 2 - FITTING THE BLIND

Hold the fully wound blind, insert the idle pin end into the bracket as shown.

With the idle pin end in place, insert the control end into the opposite bracket by depressing the pin end then pull down vertically until the control end clicks into place.



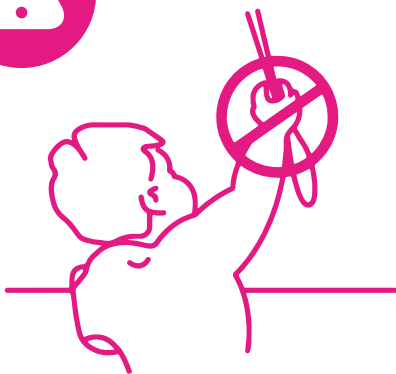
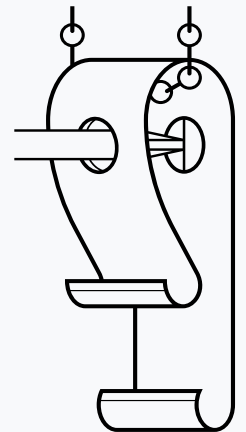
CHILD SAFETY

The safety device must be installed at the maximum distance possible from the control mechanism, and at least 1.5 metres from the floor to prevent looped chain becoming slack.

STEP 3 - INSTALLING THE SAFETY DEVICE

Place the safety device on the wall and mark the positioning of the 2 screw holes. Drill holes using a suitable drill bit. Place device into position ensuring the chain is fully taut. Screw the safety device securely to the wall using suitable fixings.

CHILDREN CAN STRANGLE IF A SAFETY DEVICE IS NOT INSTALLED. ALWAYS USE A SAFETY DEVICE TO KEEP CORDS AND CHAINS OUT OF REACH OF CHILDREN.



WARNING

Young children can be strangled by loops in pull cords, chains, tapes and inner cords that operate the product.

To avoid strangulation and entanglement, keep cords out of the reach of young children.

Cords may become wrapped around a child's neck. Move beds, cots and furniture away from window covering cords.

Do not tie cords together. Make sure cords do not twist and create a loop.