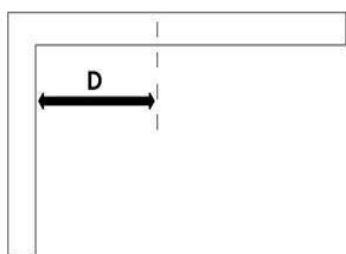


Roman Blind Fitting Instructions:

Step 1

FITTING THE BRACKETS

The brackets should be positioned at each end of the head rail approximately 110mm in from the ends. If you have a wide enough blind and have been supplied with more than 2 brackets, these should be intermediately spread across the width as required.



TOP FIXING (A)

(Screwing upwards in to the top or lintel)

Measure and mark the distance (D) the blind will need to fit within, allowing for obstructions such as handles that protrude into the recess area.

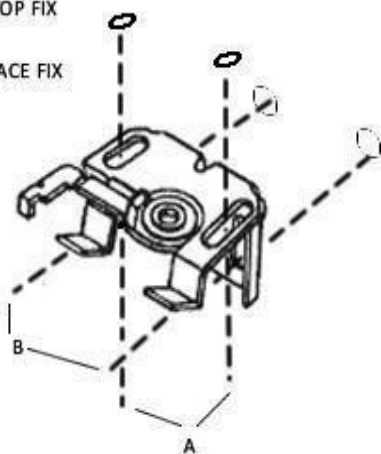
Hold each bracket into place and mark the hole positions in the top plate of the bracket.

Fit each bracket using the screws provided.

Please ensure fixings are suitable for the wall/surface to which you are mounting the brackets.

A - TOP FIX

B - FACE FIX



FACE FIXING (B)

(Screwing backwards in to the wall or frame)

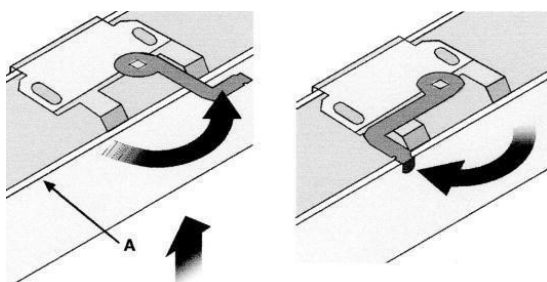
Hold each bracket into place and mark the hole positions in the back plate of the bracket.

Fit each bracket using the screws provided.

Please ensure fixings are suitable for the wall/surface to which you are mounting the brackets.

Step 2

FITTING THE BLIND



Push the swing arm anti-clockwise as far as it will go to 'open' the bracket.

Now clip the head rail (top of the blind) over the back clips of the bracket.

Next, ease the front lip of the head rail (A) in to place, over the front clips of the bracket.

Don't be afraid to use a little force to clip the blind in place if needed.

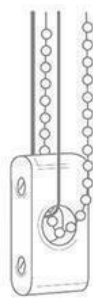
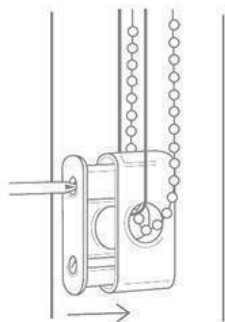
Finally, close the swing arm tight shut, to lock the blind in place.

WARNING

Young children can be strangled by loops in pull cords, chains, tapes and inner cords that operate the product. Always use a safety device to keep cords or chains out of reach of children.

To avoid strangulation and entanglement, keep cords out of the reach of young children. Cords may become wrapped around a child's neck. Move beds, cots and furniture away from window covering cords.

Do not tie cords together. Make sure cords do not twist and create a loop.



SAFETY DEVICE

The safety device must be installed at the maximum distance possible from the control mechanism to prevent looped chain becoming slack.

Place the safety device on the wall and mark the positioning of the 2 screw holes.

Drill holes using a suitable drill bit.

Place device into position ensuring the chain is fully taut.



RETAINING DEVICE

Screw the retaining device using suitable fixings ensuring the device is fully closed.